

Since 1935 CHIRANA - European quality



- Plastic parts, electronic CHIRANA, micromotors CHIRANA, metallic parts
- Amalgam separator, raw material, machine equipment, Micromotors, scalers, upholstery for patient chair, raw material, machine equipment
- OP lights, curing lamp, valves, syringes, suction systems
- Driving units for patient chairs
- Machine equipment
- Alluminium casting parts
- Scalers
- Scalers

Made in Slovakia



CHIRANA CHEESE LIFT



Patient chairs

CHIRANA CHEESE LIFT with SK 1-01



CHIRANA CHEESE LIFT with SK 1-08

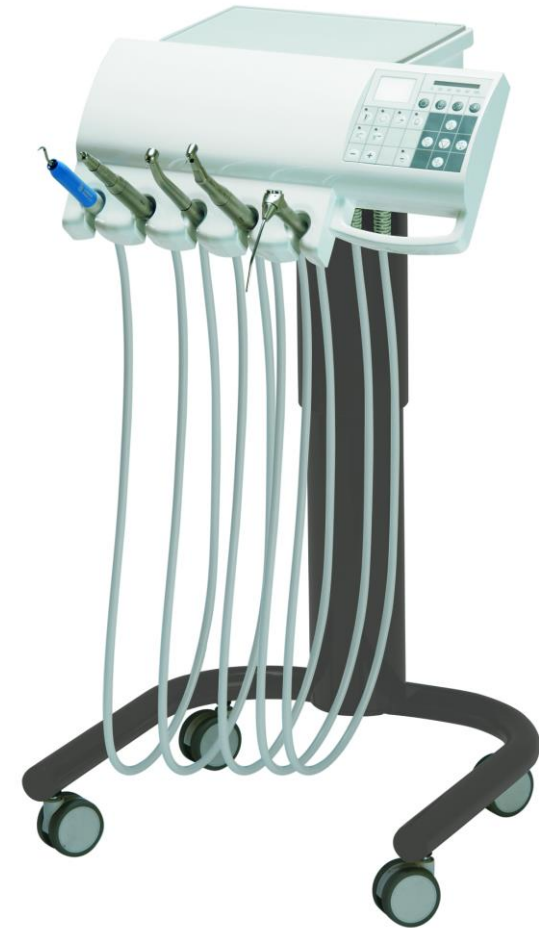


Dentist tables

Dentist tables 5N on pantographic arm



Cart dentist tables 5N



System of instruments hoses leading

Upper delivery system - Whips



Hanging system

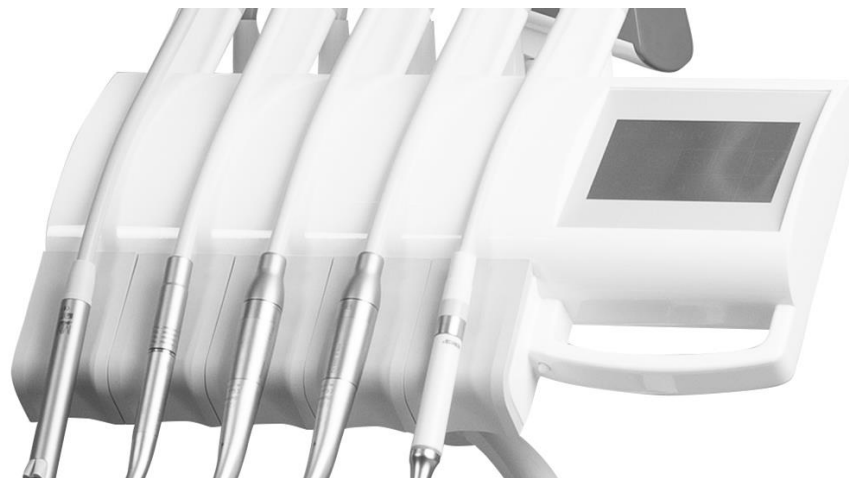
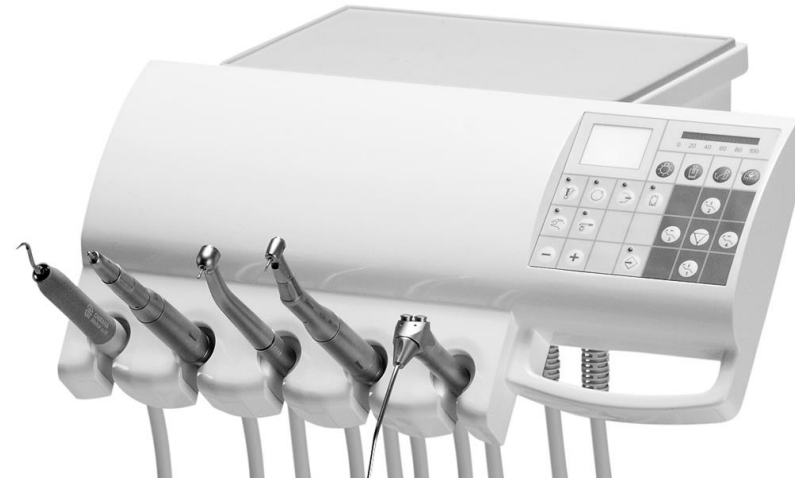


Control panels

Button-control panel



Touch screen control panel



- Spray and power set up
- Light for instrument on/off
- Chip blower function on/off
- Reverse of MM on/off
- Giromatic function on/off
- Mode control (by foot control or manual from keyboard)
- Disinfection programm - activation
- Glass filling
- Spittoon rinsing
- Stop function
- OP light switch on/off
- Chair control

Additional tray for dentist table

Fixed side tray



Tray table under dentist table

- 1x silicone tray
- 1x stainless tray
- 2x silicone tray
- 2x stainless tray



Spittoon block

Suction systems:

Ejector saliva
Ejector suction
CATTANI
DURR MSBV
DURR CS1
DURR CAS1



Hygiene:

Clean water bottle system
Disinfection system
Both systems
DCI bottles or Chirana bottles



Assistant tables

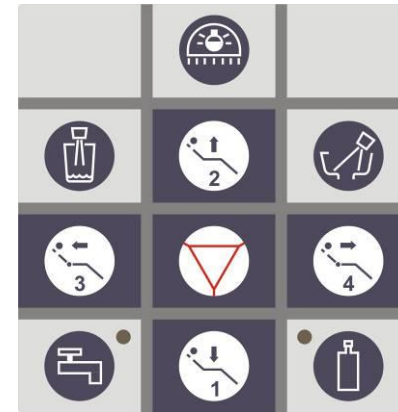
EASY 2N – two positions



EASY 4N – four positions



Control panel on assistant table



- Glass filling function
- Spittoon rinsing
- Stop function
- OP light switch on/off
- Chair control
- Switch buttons for public water or bottle

Arms for assistan table

Arm with adjustable height



Extended arm

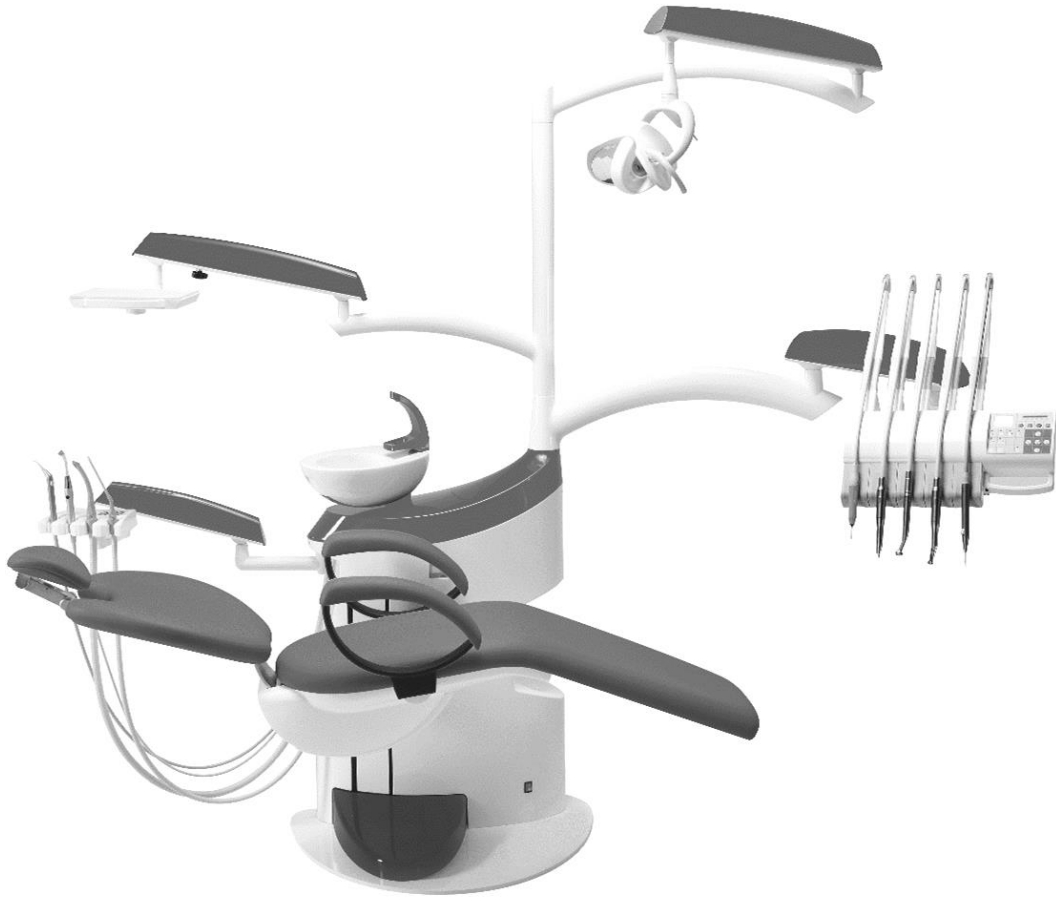


Simple short arm



Optional accessories for column

Tray table



Monitor

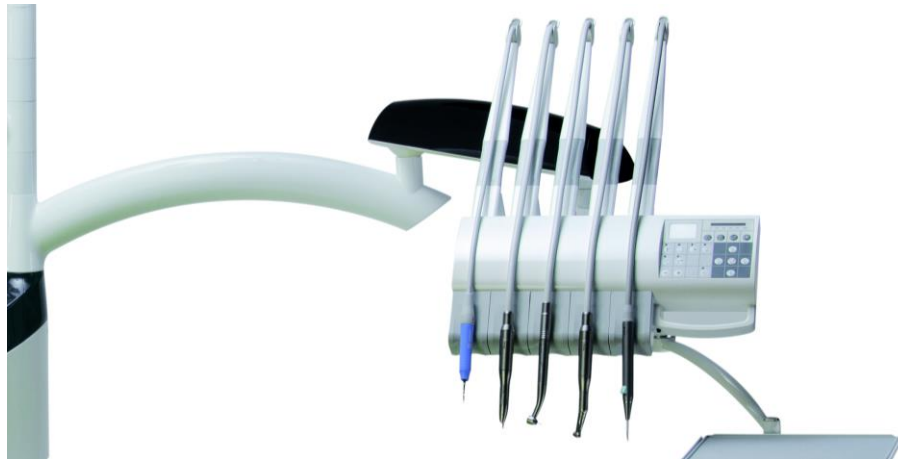


Arms of trays on column

Short arm 355 mm



Normal arm 725 mm



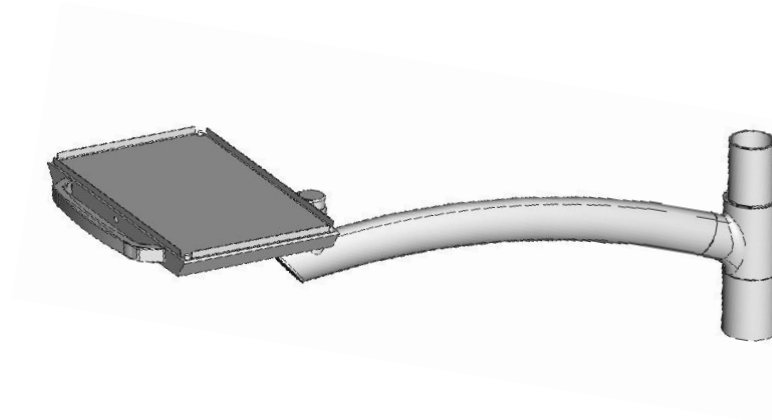
Arms of dentist table

Pantographic arm

1 x silicone or 2x silicone tray
1x stainless or 2x stainless tray
with or w/o handle
with or w/o cup holder
with or w/o flacons holders



Simple arm



OP lights

FARO ALYA LED

adjustable light intensity 3,000 - 50,000 lux



FARO MAIA LED

adjustable light intensity 3,000 - 35,000 lux



LED - A

adjustable light intensity 7,000 - 38,000 lux



Foot controls

Multifunctional foot control FCR1-7- WL



Multifunctional foot control FCR1-7



Multifunctional foot pedal



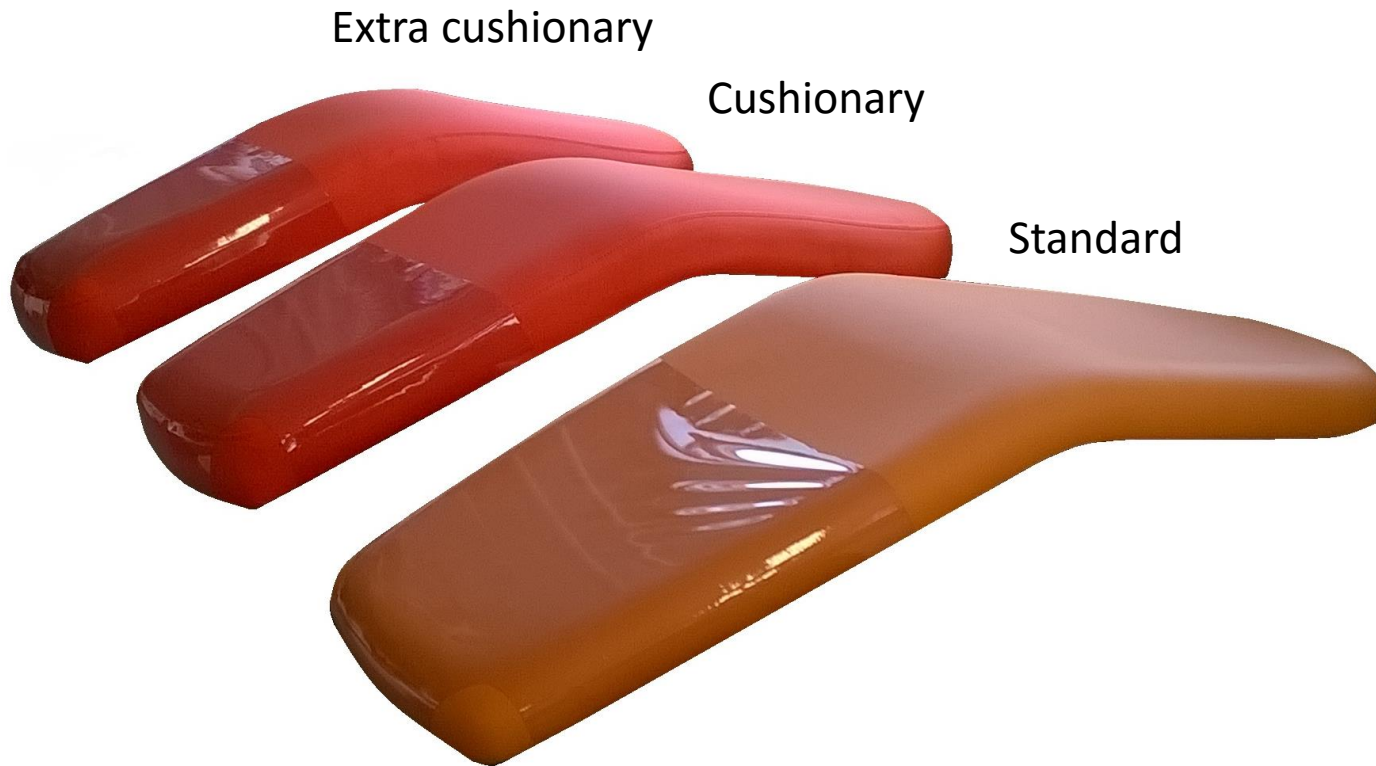
Foot control with spray



Foot switch (only istruments activation)



Patient chair SK1-01 - upholsteries



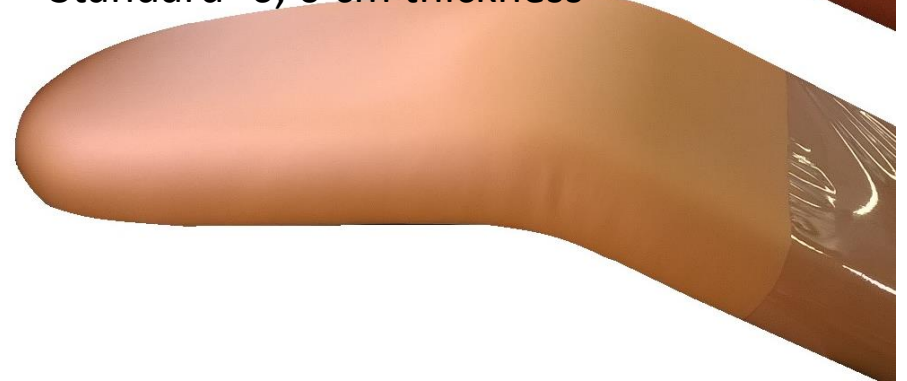
Extra cushionary - 10, 0 cm thickness



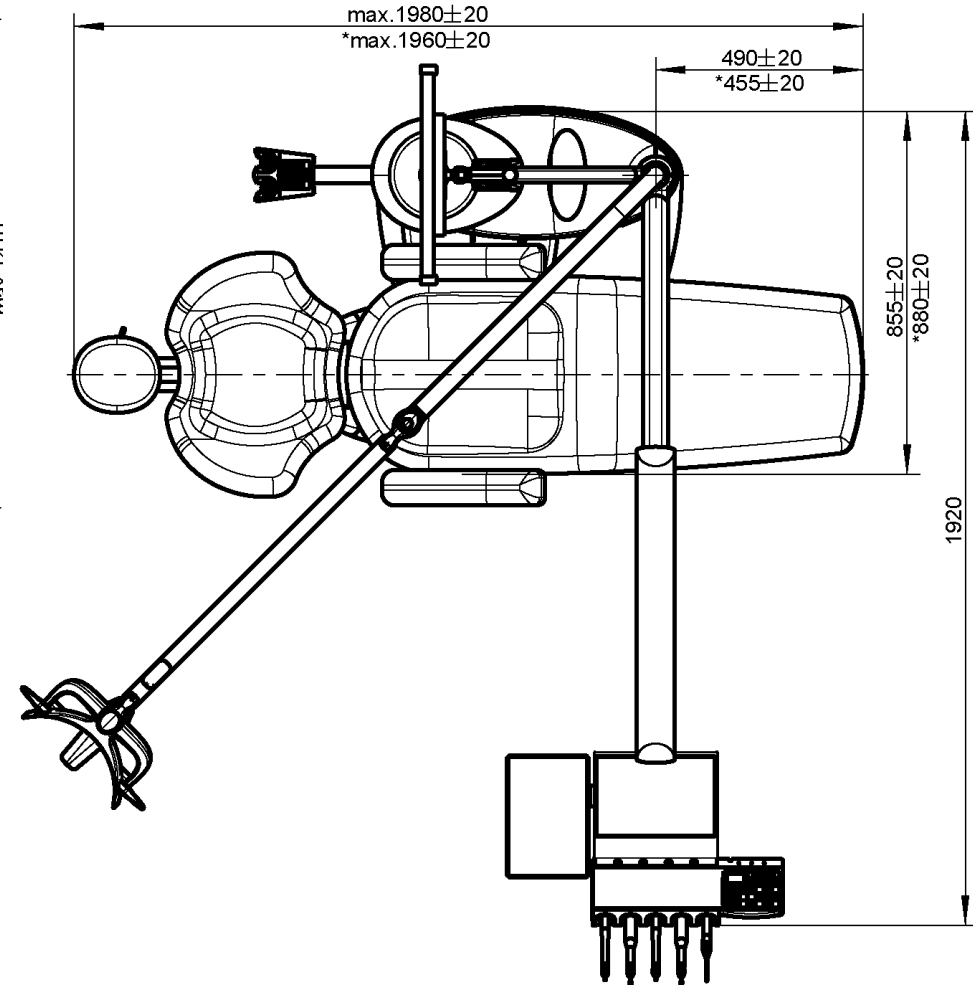
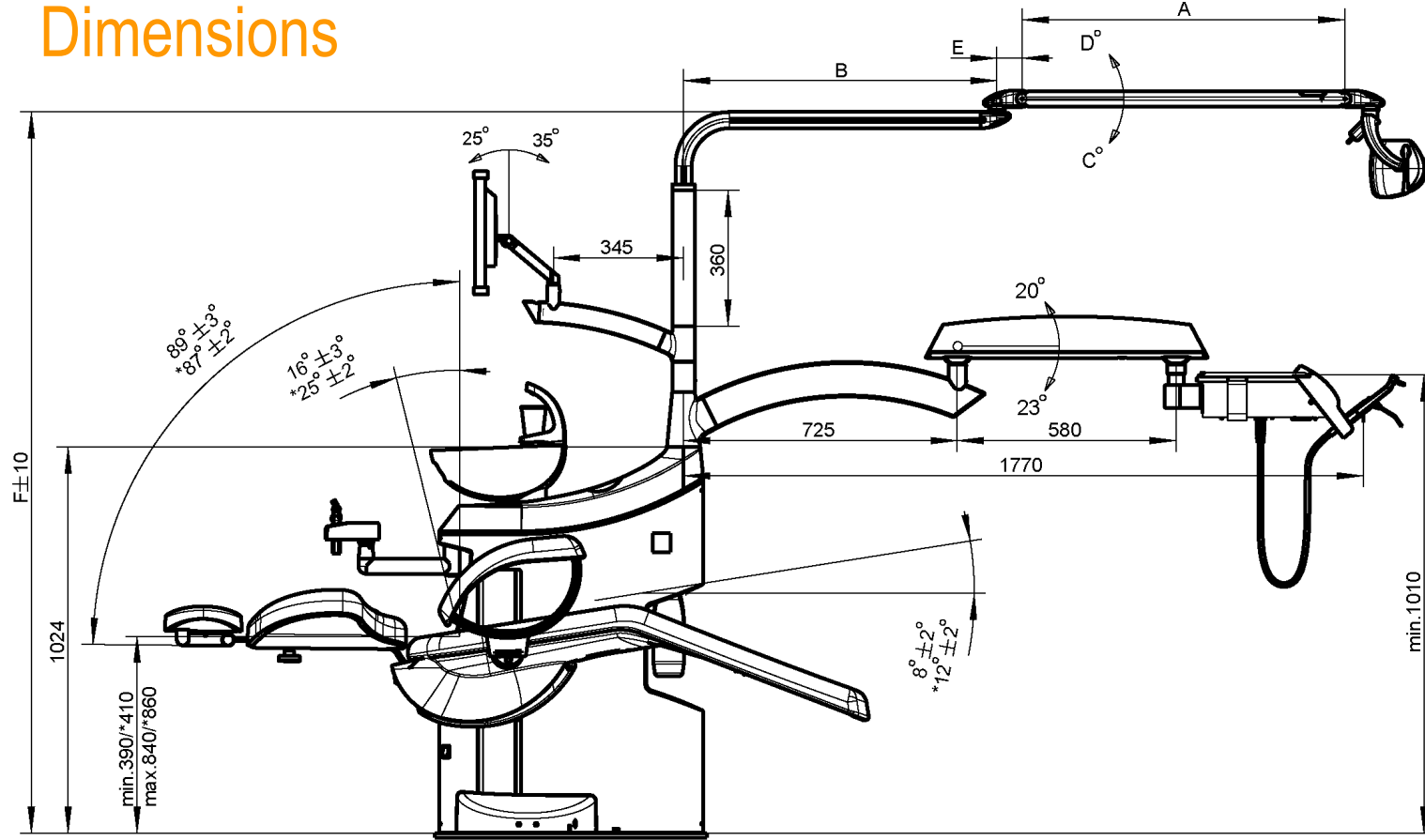
Cushionary - 8, 0 cm thickness



Standard- 6, 0 cm thickness



Dimensions



	A	B	C	D	E	F
Chirana	705	830	23°	18°	--	1855
Faro Alya	855	830	50°	40°	64	1910
Faro Maia	855	830	50°	40°	68	1910
Led-A	605	635	39°	32°	--	1870